

Cooling Element

Model: MDS4

Applications

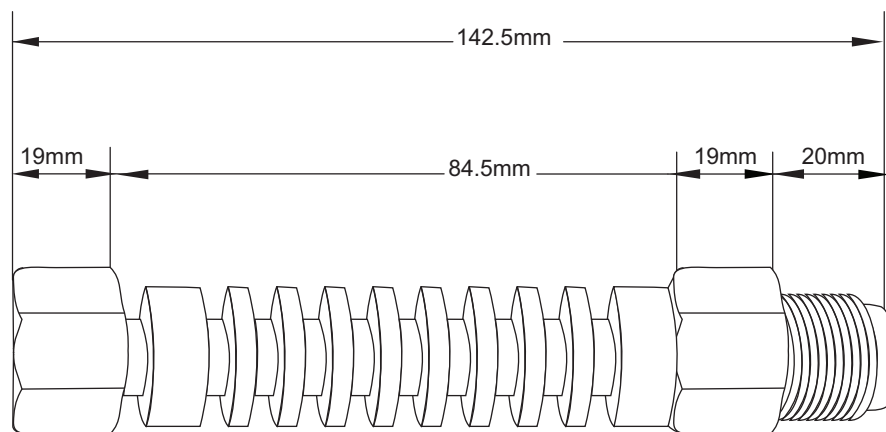
- Cooling elements are used when the medium temperature would exceed the permissible temperature limit of the pressure measuring instrument.
- Dissipates elevated live steam temperature
- Rugged design for direct mounting
- Process industry: Chemical/petro chemical, power stations, food and beverage, offshore oil rigs, pulp and paper, environmental technology, machine building and general plant construction

Special features

- For medium temperatures up to 450°C
- All stainless steel 316L
- Pressure ranges up to 350 bar

Description

- **Body material** Stainless steel 316L
 Hastelloy, Monel, Tantalum(option)
- **Process connection** Stainless steel 316L
 1/4 NPT, 1/2 NPT, BSP (option)

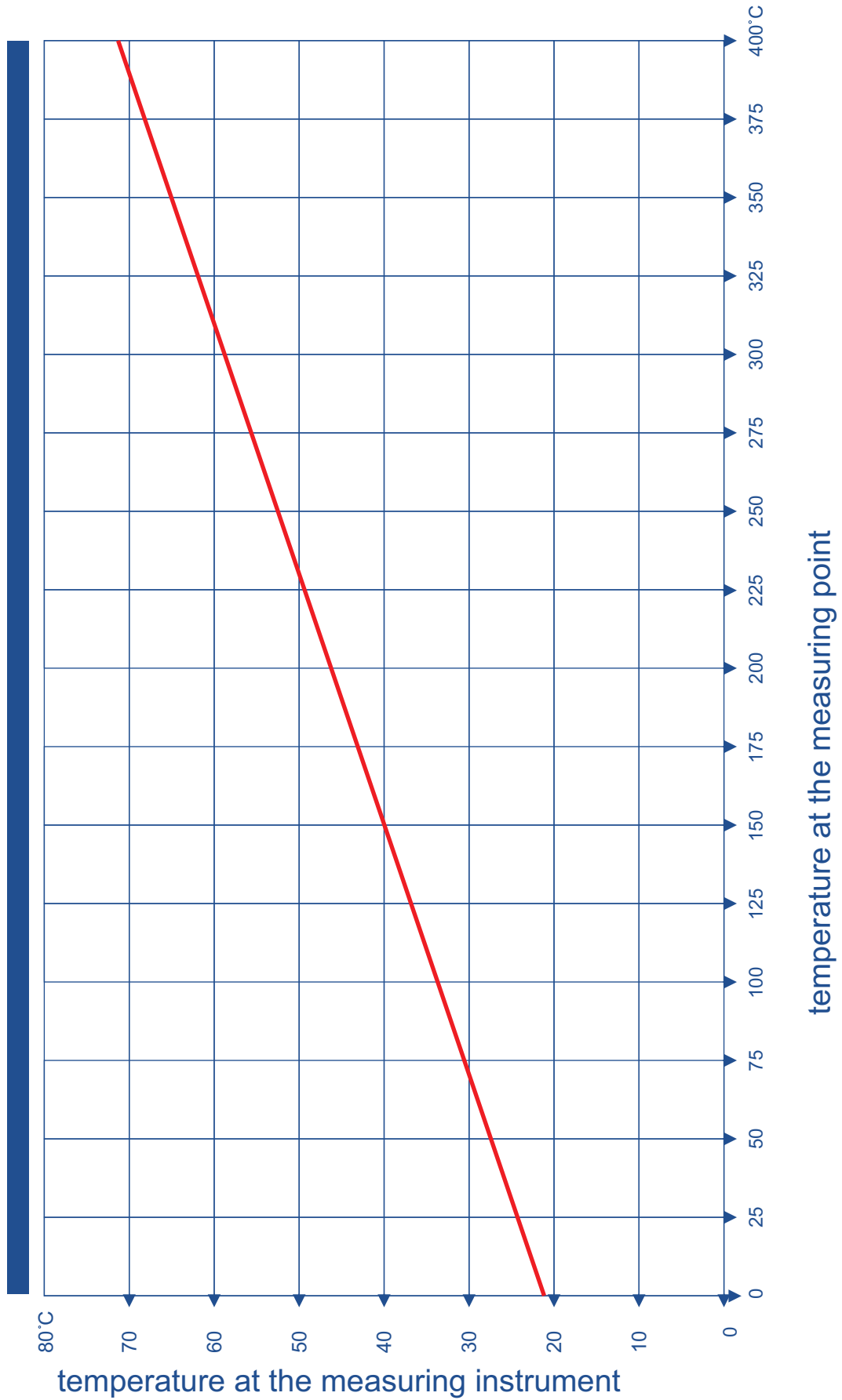


Instrument Connection

Size for 1/2MPT male to female

Process Connection

Characteristic curve at ambient temperature 20°C





MDS4 Pulsation dampener

ORDERING CODE	Example:	MDS4	4	M	OS	Note
Process Connection Sizes						
2 - ¼ NPT						
4 - ½ NPT			4			
6 - ¾ G						
8 - 1½ G						
10 - Customer						
Body material						
B - Brass						
S - 316L Stainless steel						
M - Monel® 400				M		
H - Hastelloy						
C - Customer						
Options						
OS - Overload stop					OS	
NS - According to NACE MR 0175 & NACE MR 0103 standard						
Other sealing						





Address: 7191 Yonge street, Toronto, Canada

Tel: +16472221281(5 line)

Web: www.madecotech.com

Email: Info@madecotech.com