

# Capsule Diaphragm Pressure Gauge

## Model: PD3

### Applications

- For the process industry, high overload safety
- Pressure measurement at very low pressures
- For gaseous and liquid aggressive media that are not highly viscous or crystallising, also in aggressive ambience
- Process industry: Chemical/petro chemical, power stations, food and beverage, offshore oil rigs, pulp and paper, environmental technology, machine building and general plant construction

### Special features

- According to NACE MR 0175 & MR0103 standard
- High overload safety up to 50 x full scale value
- Anti-glare & Anti-static window
- Excellent load-cycle stability and shock resistance
- Scale ranges vacuum up to 2.5 mbar ... 250 mbar

### Description

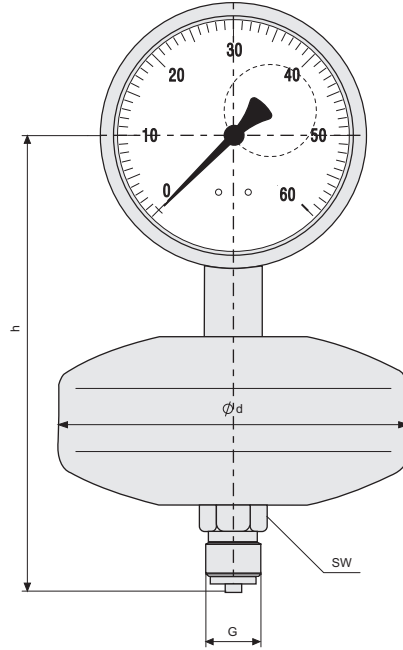
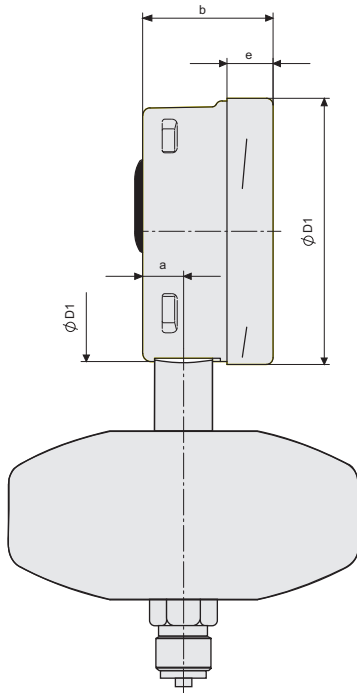
- |                           |  |
|---------------------------|--|
| ■ Accuracy class          | NS 100, 160: 1.6   |
| ■ Pressure element        | Stainless steel 316L<br>Hastelloy, Monel, Tantalum(option)   |
| ■ Process connection      | Stainless steel 316L bottom<br>NS 100, 160: ½ NPT, BSP (option)  |
| ■ Socket & connection     | Threaded or open flange process connections  |
| ■ Case                    | Stainless steel, with blow-out disc device   |
| ■ Window                  | Glass, Laminated safety glass Anti-glare & Anti-static   |
| ■ Permissible temperature | Ambient: -40 ... +60 °C without liquid filling<br>Medium: +100 °C maximum without liquid filling                                       |
| ■ Movement                | Stainless steel  |
| ■ Pointer                 | Zero adjustable pointer, Aluminium, black  |
| ■ Dial                    | Aluminium, white, black lettering,   |
| ■ Sealing                 | PTFE   |
| ■ Protection              | IP54   |
| ■ Range                   | 0...2.5 mbar to 0...250mbar<br>or all other equivalent vacuum or combined pressure   |
| ■ Pressure limitation     | NS 100, 160: Steady: Full scale value<br>Fluctuating: 0.9 x full scale value   |
| ■ Temperature error       | When the temperature of the measuring system deviates from the reference temperature (+20 °C):<br>max. ±0.6 %/10 K of full scale value |



**PD3 Capsule Diaphragm Pressure Gauge**

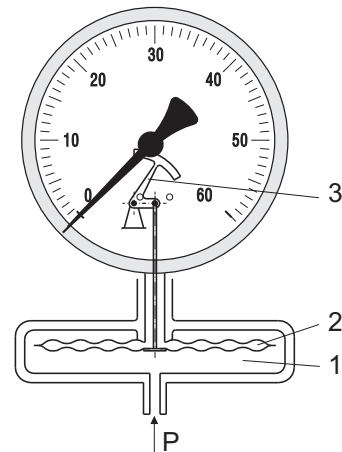
ORDERING CODE	Example: PD3	4	T	2	D	S	AT	WA	Note
Dial Size									
4-100mm(4")									
6-160mm(6")		4							
Process Connection Type									
T- Bottom			T						
Process Connection Sizes									
2 - ½ NPT Male NS100,160 Dial				2					
4 - G½ Male NS100,160 Dial									
6 - Flange Type (please mention the technical details in the note)									
8 - Customer									
Case Design									
D - Dry					D				
Process Connection									
S - 316L Stainless steel						S			
M - Monel 400®									
H - Hastelloy									
C - Customer									
Accuracy									
AT - 1.6% (std.)							AT		
AC - 1%									
Options									
SC - Single scale									
DS - Dual scales									
YW - 316L Stainless steel case									
OS - Overload stop									
NC - NACE MR 0175 & MR0103 standard									
AN - Anti-glare & Anti - static window									
CC - Calibration certificate									
NH - Stainless steel tag wired to case									
AT - ATEX									
WA - One year warranty								WA	
HI - Higher overload safety									
CP - Capsule pressure gauge with switch contactssee data sheet Cp1 contact									
CI - Capsule pressure gauge with 4-20mA output signal									
Other									





NS	Dimensions in mm									Weight in kg
	a	b	D <sub>1</sub>	D <sub>2</sub>	d	e	G	h ±1	SW	
100	15.5	49.5	101	99	133	17.5	G ½ B	170	22	1.6
160	15.5	49.5	161	159	133 b	17.5	G ½ B	200	22	2.1

- Pressure-sealed measuring chamber (1) with capsule measuring element
- The capsule element (2) is pressurised from outside and moves in strokes (deflection)
- The deflection is transmitted to the movement (3) and indicated
- The overload safety is achieved through the mutually supporting surfaces of both halves of the capsule element





Address: 7191 Yonge street, Toronto, Canada

Tel: +16472221281(5 line)

Web: [www.madecotech.com](http://www.madecotech.com)

Email: [Info@madecotech.com](mailto:Info@madecotech.com)