

Pressure Transmitter For General Industrial Application

Model: MD5X

Applications

- For gaseous and liquid aggressive media that are not highly viscous or crystallising, also in aggressive ambience
- Critical industrial application: Process automation, Compressor control hydraulic systems, Engine monitoring, Pump control, Pneumatics, Presses Refrigeration equipment, Machine tools

Special features

- **Diffused silicon and high accuracy sensor**
- 0.25 accuracy class
- Different output signals: 4 ... 20mA, 0 ... 10VDC 1...5VDC and other
- ST.steel housing & process connection
- Absolute or gauge pressure
- Ranges vacuum up to 2000 bar
- Long service life and great stability

Description

- | | |
|---------------------------------------|---|
| ■ Accuracy class | 0.25% for medium range 0.5% for low and high range |
| ■ Pressure element | Stainless steel 316
Hastelloy, Monel, Tantalum(option) |
| ■ Process connection | Stainless steel 304, Stainless steel 316 |
| ■ Operating temperature | -20 ... +80°C |
| ■ Storage temperature | -40 ... +120°C |
| ■ temperature coefficient zero & span | ±0.03%F.S/°C (≤100KPa) ±0.2%F.S/°C (>100KPa) |
| ■ Long stability | ±0.1%F.S/year (typical) ±0.2%F.S/year (Max.) |
| ■ Pressure type | Gauge, absolute ,sealed gauge |
| ■ Proof pressure | ≤1.5X rated pressure |
| ■ Protection | IP65 |
| ■ Power supply | 12 - 36VDC, 5VDC |
| ■ Output signal | 4 ... 20mA, 0.5 ... 4.5VDC, 1 ... 5VDC, 1 ... 10VDC |
| ■ Insulation resistance | 100MΩ, 100VDC |
| ■ Pressure port | M20×1.5, G1/4 or customize |
| ■ Housing material | 1Cr18Ni9Ti stainless steel |
| ■ Diaphragm material | 316L |
| ■ O-ring | Fluororubber |
| ■ Cable | Polyethylene |
| ■ shock | 50g /11ms |



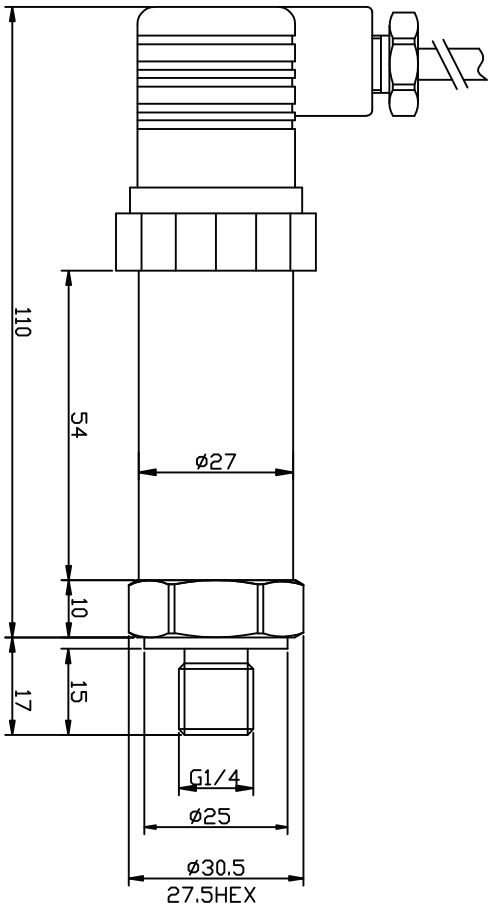


MD5X Pressure Transmitter

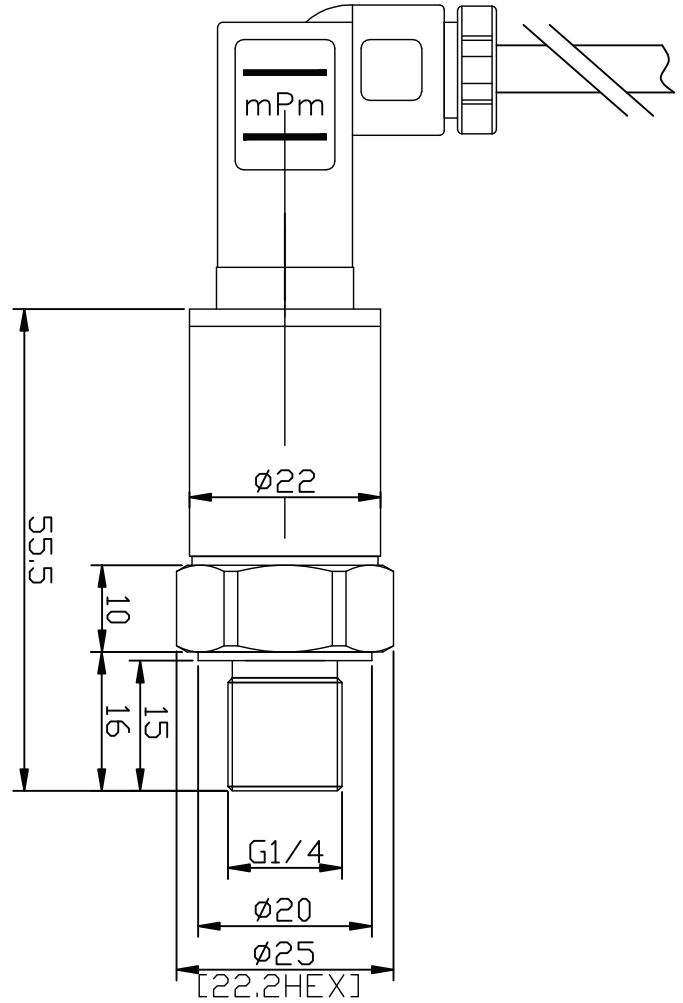
ORDERING CODE	Example: MD5X	4	10P	D1	S1	J1	G	S	WA	NOTE
Electric Connection										
4 - Cable outlet(1.5m standard)		4								
5 - Circular connector M12x1(4pin)										
6 - Bayonet connector(6pin)										
7 - Mini DIN										
8 - Big DIN										
9 - Customer										
Pressure Range										
xxx - Measurement range -1 ... 0 to 2000bar			10							
P - Psi			P							
B - Bar										
C - Customer										
Power Supply										
D1 - 24VDC				D1						
D2 - 250VDC										
C - Customer										
Output Signal										
S1 - 4 ... 20 mA DC					S1					
S2 - 1 ... 5 VDC										
S3 - 0 ... 5 VDC										
S4 - 0 ... 10 VDC										
S5 - 0 ... 20 mA DC										
S6 - 0 ... 10 VDC										
S7 - 0.5 ... 4.5 VDC										
C - Customer										
Process Connection Size										
J1 - G1/4						J1				
J2 - G1/2male										
J3 - M20x1.5 male										
J4 - 7/16 - 20UNF male										
J5 - 7/16 - 20UNF female										
J6 - 1/4 NPT male										
J7 - 1/4 NPT female										
Pressure Type										
G - Gauge pressure							G			
A - Absolute pressure										
S - Sealed pressure										
Process Connection Material										
L - 304 Stainless steel										
S - 316L Stainless steel								S		
M - Monel® 400										
H - Hastelloy										
C - Customer										
Option										
YW -316L Stainless steel housing										
OS - Overload stop										
CO - Cooling element for high temp. applications										
DS - Diaphragm seals for sanitary										
IN - Local indicator										
DH - Diaphragm seals for high viscous or crystallising media										
CC - Calibration certificate										
PD - Pulsation dampener										
IP - IP 68 housing										
AT - ATEX										
WA - One year warranty									WA	
Other										



Dimension

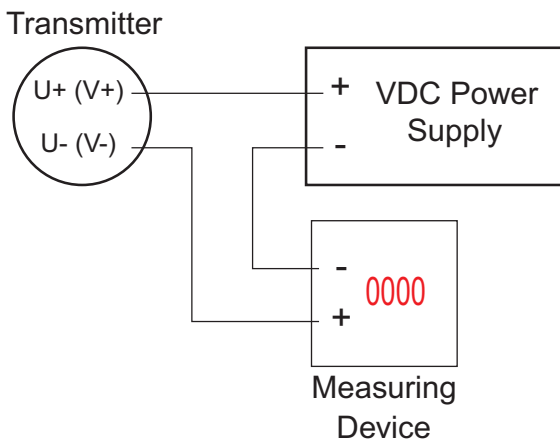


MD5X8

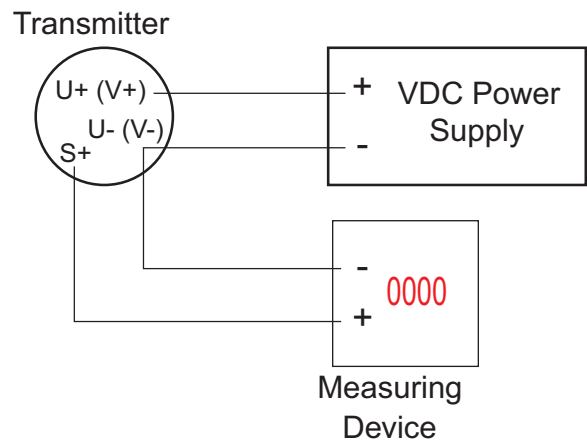


MD5X7

2-Wire Configuration



3-Wire Configuration





Address: 7191 Yonge street, Toronto, Canada

Tel: +16472221281(5 line)

Web: www.madecotech.com

Email: Info@madecotech.com