

BOURDON TUBE PRESSURE GAUGE WITH OUTPUT SIGNAL

MODEL : PGT1

Special features

- 4-20 mA output
- IP- 67 protection (waterproof)
- Acquisition and display of process values
- Transmission of process values to the control room, 4 ... 20 mA, 0 ... 20 mA, 0 ... 10 V
- Safety-related applications
- Measuring ranges 0 ... 0.6 bar to 0 ... 1600 bar



Description

At any point where the process pressure has to be indicated locally, and, at the same time, a signal is wanted to be transmitted to a central controller or remote control room,

The model PGT1 high-quality, stainless steel safety pressure gauge with a nominal size of 100 or 160.

the electrical output signal proportional to the pressure, 4 ... 20 mA, is produced.

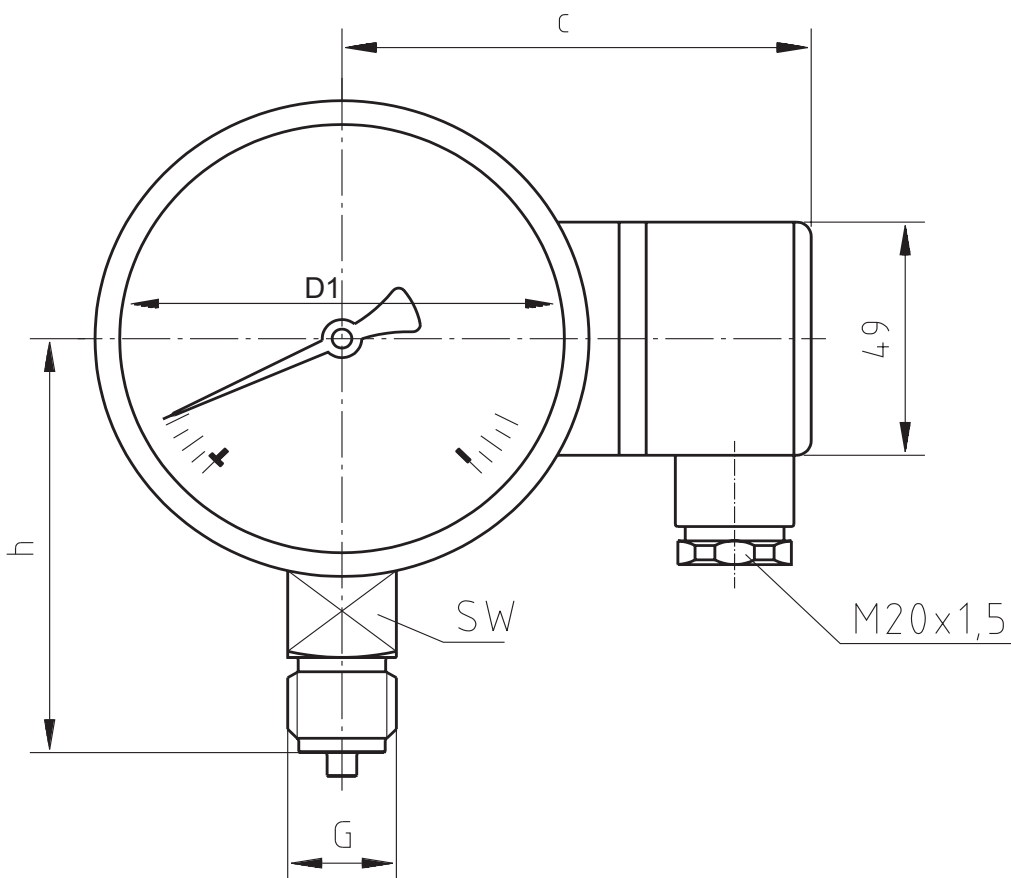
The measuring span (electrical output signal) is set automatically along with the mechanical display, i.e. the scale over the full display range corresponds to 4 ... 20 mA. The electrical zero point can also be set manually.

Specifications

Accuracy	1 % f.s.
Out Put	4 - 20 mA ... 1 - 5 VDC ... 0 - 10 VDC
Case	304 St. steel with bezel
Case Diameter	100, 160 mm
Connection	Back, Bottom
Pressure Ranges	vacuum up to 1600 Bar - see the table
Over Pressure	1.25 % max. pressure
Power Supply	10 ... 32 VDC
Storage Temperature	-20 ... +85 C
Ambient Temperature	-10 ... +60 C
Medium Temperature	-20 ... +100 C
Protection Class	IP - 65

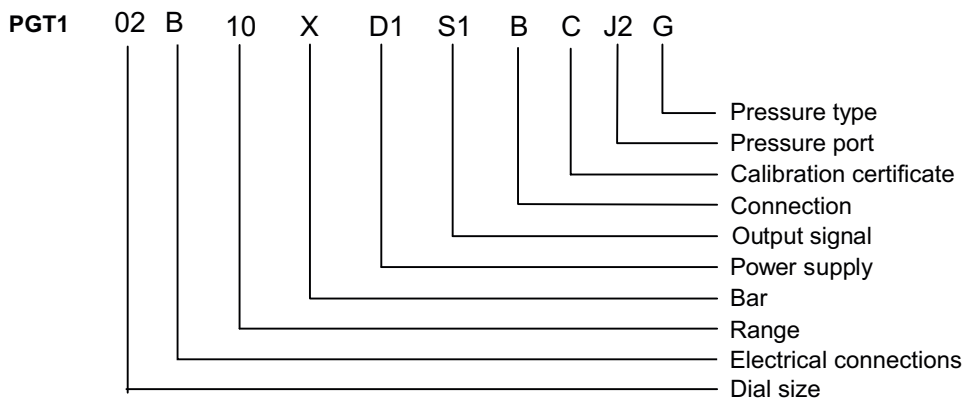


11301180.01



NS	Dimensions in mm					Weight in kg
	C	D1	G	H	SW	
100	94	101	G ½ B	87	22	
160	123.5	161	G ½ B	118	22	

Ordering example : PGT1 02-B-10-X-D1-S1-B-C-J2-G



Ordering information

PGT1	Bourdon Tube Pressure Gauges with output signal			
	Code	Dial Size In mm		
	01	60 mm		
	02	100 mm		
	03	150 mm		
	Electrical Connection			
	A	Circular connector		
	B	Din connector		
	C	Direct outlet 1.5 meter		
		Range	-1 . . . 0 . . . 1000Bar	
		(0-X) Psi or Bar	X: actual range	
		Code	Power supply	
		D1	24VDC	
		D2	220VAC	
		Code	Output signal	
		S1	4~20mADC	
		S2	1~5VDC	
		S3	0~5VDC	
		S4	0~10 VDC	
		Code	Connection	
		B	Bottom Connection	
		R	Back Connection	
		Code	Calibration certificate	
		C	Calibration certificate	
		X	None	
		Code	Pressure port	
		J1	M20×1.5 Male	
		J2	G1/2 Male	
		J3	G1/4 Male	
		J4	others	
		Code	Pressure type	
		G	Gauge pressure	
		A	Absolute pressure	



Address: 7191 Yonge street, Toronto, Canada

Tel: +16472221281(5 line)

Web: www.madecotech.com

Email: Info@madecotech.com