

# Paddle Type Flow Switch

## Model: MDFS1

### Applications

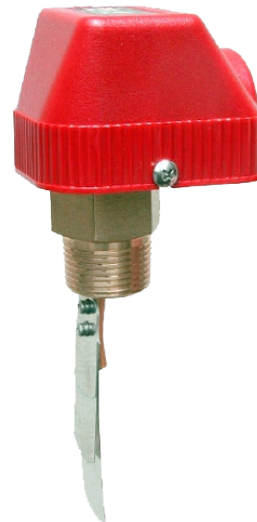
- For use on liquid lines such as water, ethylene glycol, or any non-corrosive fluid in chillers, pumps, condensers, boilers, etc.
- Heating and air conditioning systems
- Refrigeration systems
- Sprinkler or anti-fire systems
- Heat pumps
- Devices for oil monitoring
- Lubrication circuits

### Special features

- Fits pipe sizes ranging from 1" to 6"
- With S.P.D.T. contact mechanism.
- Available for use in seawater or corrosive media
- Adjustable or fixed hysteresis
- Maximum tolerable pressure up to 40 bar
- Breaking capacity 15 A at 230 VAC
- CE mark applicable (available upon request)

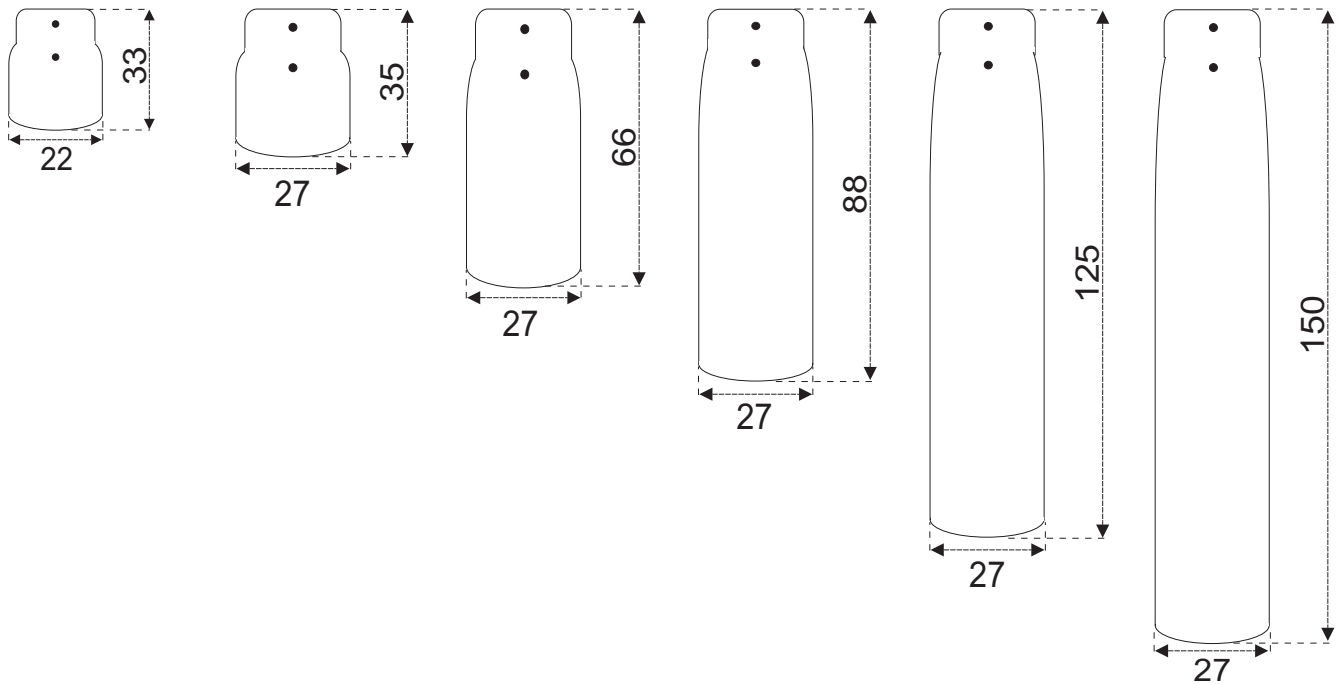
### Description

- **Operating Pressure** 16 - 25 - 40bar
- **Switch Capacity** 15 A / 24 - 250 VAC
- **Withstand Voltage** AC 1500V/1minute
- **Operating Temperature** -20°C to 100°C
- **Humidity** 10 - 90 %
- **Paddle Material** SS 316 - SS316L - Monel - Hastelloy C - Teflon
- **IP** 43 - 54 - 65 & explosion proof
- **Connection Size** 3/4" - 1"
- **Contact Point Life** 1.000.000 cycle
- **Bellows Life** 500.000 cycle



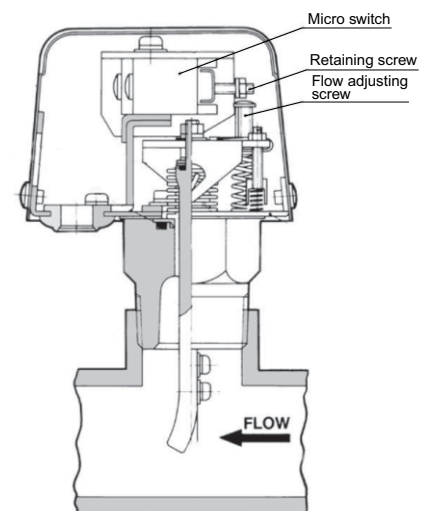
### Rating of the Micro Switch

Voltage	Resistance Load	Inductive Load	Motor and Lamp Loads	
			N.C.	N.O.
125 VAC	15 A	10 A	3 A	1.5 A
250 VAC	15 A	10 A	3 A	1.5 A
125 VDC	0.5 A	-	-	-
250 VDC	0.25 A	-	-	-

**Dimensions of the Paddles (mm)**

**Characteristic chart**

Approximate Actuation and De-Actuation Flow Rates for Water @ 15°C.

Main Pipe Diameter (Inch)	Minimum Flow (m <sup>3</sup> /h)		Maximum Flow (m <sup>3</sup> /h)	
	Actuation Flow Rate	De-Actuation Flow Rate	Actuation Flow Rate	De-Actuation Flow Rate
3/4	0.6	0.4	1.4	1.3
1	0.9	0.5	2.7	2.5
1 1/4	1.6	0.8	4.5	4.1
1 1/2	1.8	1.2	6.3	5.7
2	2.1	1.6	7.2	6.3
2 1/2	3.6	2.1	12.6	11.3
3	4.1	2.3	17.3	16.5
4	7.7	3.9	24.7	21.6
6	17	7.8	52.8	43.8



## MDFS 1 Paddle Type Flow Switch

ORDERING CODE	Example:	MDFS 1	A	2	1	150	N	B	2	A	1
<b>Housing Material</b>											
A - ABS			A								
P - Polycarbonate											
C - Copper Alloy											
S - Stainless steel											
<b>Wetted Material</b>											
1 - brass & SS 304											
2 - SS 304				2							
3 - SS 316											
4 - Monel											
5 - Hastelloy											
6 - Teflon											
7 - Customized											
<b>Connection Size</b>											
1 - 1"											
2 - 3/4"											
3 - Customized											
<b>Thread Type</b>											
N - NPT							N				
B - BSP											
<b>Seal Material</b>											
1 - NBR											
2 - FPN											
<b>Paddle for Application Pipes</b>											
A - 3/4" - 1"											
B - 1" - 3"								B			
C - 1" - 6"											
D - Customized											
<b>Pressure Rating</b>											
1 - 16bar											
2 - 25bar									2		
3 - 40bar											
4 - Customized											
<b>Operating Temperature</b>											
A - (0 - 100°C)										A	
B - (-20 - 150°C)											
<b>IP Protection</b>											
1 - 43											1
2 - 54											
3 - 65 & EX											





Address: 7191 Yonge street, Toronto, Canada

Tel: +16472221281(5 line)

Web: [www.madecotech.com](http://www.madecotech.com)

Email: [Info@madecotech.com](mailto:Info@madecotech.com)